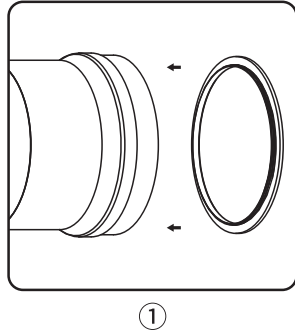


# MINI MATTE BOX - 安装说明书 - INSTALLATION MANUAL

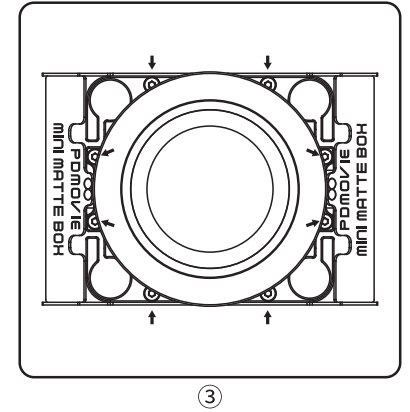
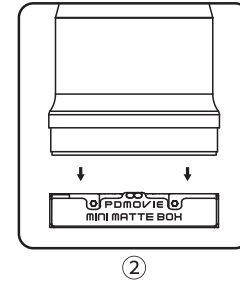
## 1. Install the inner lens ring - 安装镜头内环

- ▶ 选择镜头对应尺寸的镜头内环, 旋转安装到镜头上。①
- ▶ Select the lens inner ring that matches the lens size and screw it onto the lens. ①



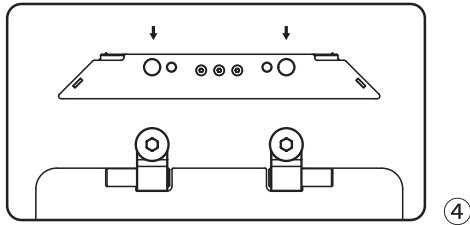
## 2. Install the mini matte box - 安装遮光罩

- ▶ 将遮光罩水平倒放在桌面上, 随后将镜头内环放置到遮光罩的镜头支架的内嵌槽内, ②调整水平后再安装螺丝, 环绕安装8颗螺丝以固定镜头内环和镜头支架。③
- ▶ Place the lens hood upside down on the table, then insert the lens inner ring into the recessed slot of the lens mount. ② Adjust the position horizontally, then secure with 8 screws to fix the lens inner ring and lens mount. ③



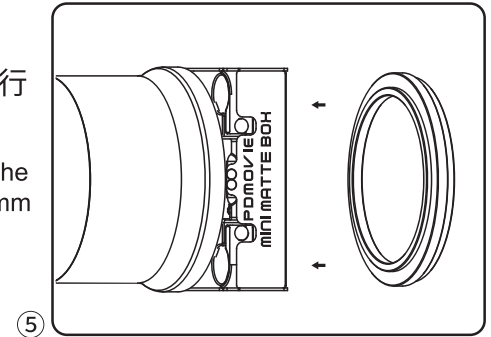
## 3. Install the fender - 安装叶子板

- ▶ 将叶子板的螺丝, 对应安装在遮光罩上的1/4螺孔中。
- ▶ Install the fender screws into the corresponding 1/4 screw holes on the lens hood. ④



## 4. Install the filter - 安装滤镜

- ▶ 将配备的滤镜旋转安装到遮光罩正面。也可自行替换直径为72mm的其他圆形滤镜。⑤
- ▶ Rotate and install the provided filter onto the front of the lens hood. You may also replace it with any other 72mm circular filter. ⑤



## 5. Install the LiDAR auto-focus motor - 安装LiDAR自动跟焦马达

- ▶ 如需安装LiDAR自动跟焦马达, 需要先将遮光罩的侧板拆除, ⑥然后将导管安装到适合的导管孔中, 最后安装LiDAR自动跟焦马达, 锁紧即可。⑦
- ▶ To install the LiDAR auto-focus motor, first remove the side panel of the lens hood. ⑥ Then, insert the conduit into the appropriate hole and attach the LiDAR motor. Tighten to secure. ⑦

